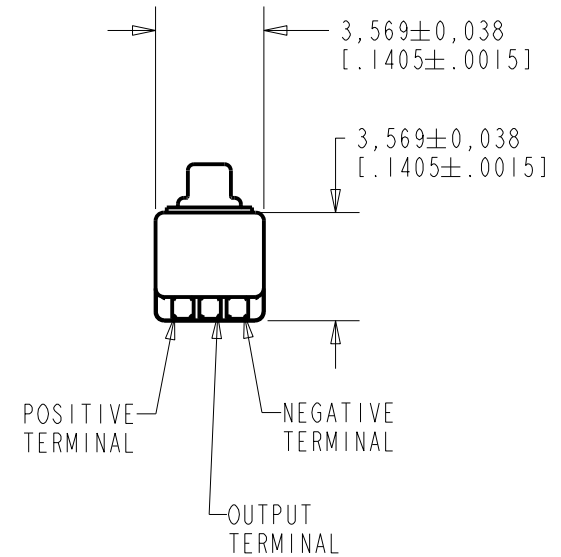
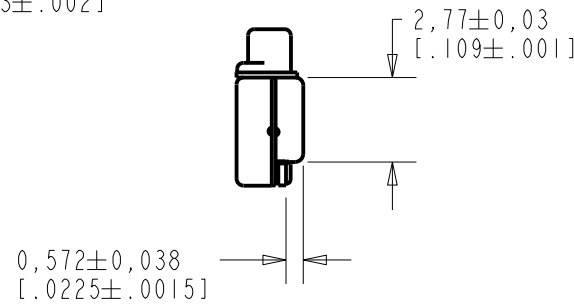
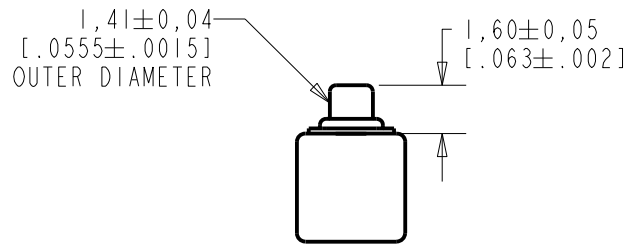
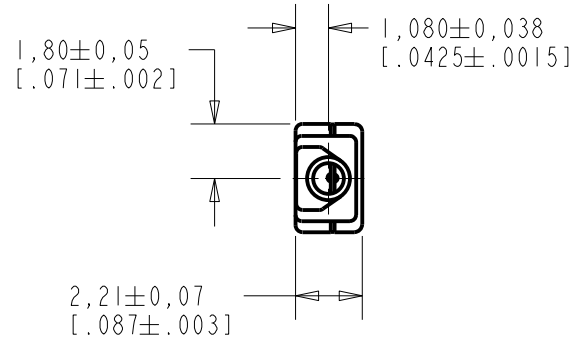


**EM-25347-C36**  
SHT 1.1

NOTE:

1. INCREASED PRESSURE AT SOUND INLET CAUSES A POSITIVE GOING VOLTAGE TO APPEAR AT THE OUTPUT TERMINAL, RELATIVE TO THE NEGATIVE TERMINAL.



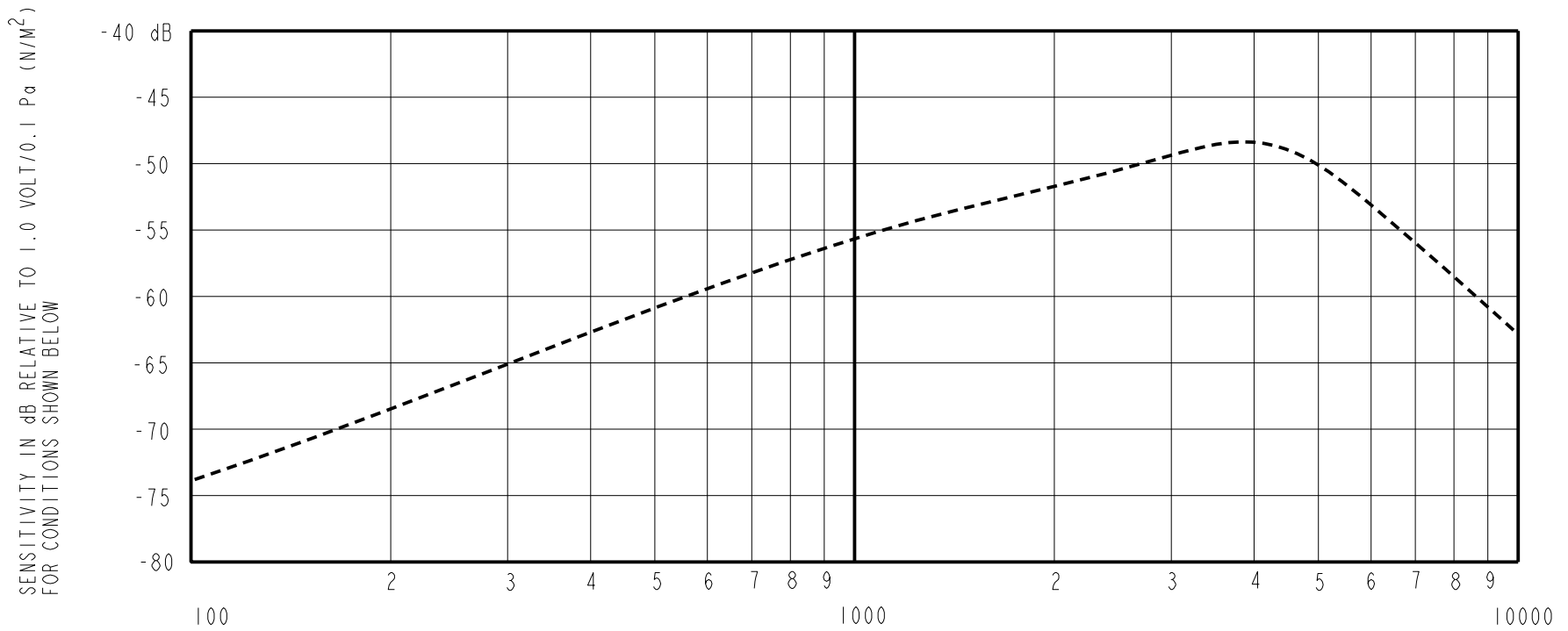
NOMINAL WEIGHT  
.08 GRAM

DIMENSIONS IN MILLIMETERS [INCHES]

Revision	C.O. #	Implementation Date	RELEASE LEVEL	REVISION
E	MI0104239	7-12-11	<b>Active</b>	<b>E</b>
D	MI0102913	8-4-09		

SCALE: <b>4:1</b>		DR. BY: <b>MMM</b>	DATE: <b>12-30-05</b>
DO NOT SCALE DRAWING			
TITLE: <b>MICROPHONE</b>		APP. BY: <b>GJP</b>	
		DATE: <b>1-2-06</b>	
		DATE: <b>1-2-06</b>	
		DATE: <b>1-2-06</b>	
<b>EM-25347-C36</b>			
OUTLINE DRAWING		<b>SHT 1.1</b>	

**KNOWLES ELECTRONICS**  
ITASCA, ILLINOIS U.S.A.



FREQUENCY	SENSITIVITY			FREQUENCY IN HERTZ		DEVICE CONFORMITY	
	MIN.	NOM.	MAX.	RANGE OF DEVIATION FROM 500 Hz			
500	-66.0	-61.0	-56.0	0.0	0.0		
3500-5500	---	-48.5	---	+8.5	+16.0		
6000	-58.0	-54.0	-50.0	0.0	0.0		

- NOTES: 1. CASE CONNECTED TO NEGATIVE TERMINAL.  
 2. MICROPHONE TO BE FUNCTIONAL WITH 1.6 VDC SUPPLY.  
 3. TYPICAL SENSITIVITY TO HUMIDITY AT 1000Hz IS 0.06 dB/%RH  
 4. SENSITIVITY AND NOISE VALUES INDICATED ON THIS SPECIFICATION ARE VALID AT 50% HUMIDITY.

PORT LOCATION	DC SUPPLY	AMPLIFIER CURRENT DRAIN	SENSITIVITY CHANGE ON REDUCING SUPPLY TO 0.9VDC	"A" WEIGHTED NOISE (RE 1.0 VOLT)	OUTPUT IMPEDANCE OHMS		
					MIN.	NOM.	MAX.
12S	1.3V	50 $\mu$ A MAX.	3 dB MAX.	-96.0 dB MAX.	2800	4400	6800

**KNOWLES ELECTRONICS**  
ITASCA, ILLINOIS U.S.A.

Revision	C.O. #	Implementation Date	RELEASE LEVEL	REVISION
E	M10104239	7-12-11	<b>Active</b>	<b>E</b>
D	M10102913	8-4-09		
WHEN TEST LIMITS ARE USED TO ESTABLISH INCOMING INSPECTION ACCEPTANCE/REJECTION CRITERIA, CORRELATION OF TEST EQUIPMENT WITH KNOWLES IS ALSO REQUIRED FOR ELIMINATION OF EQUIPMENT AND TEST METHOD VARIATION			DR. BY	DATE
TITLE: <b>MICROPHONE</b> PERFORMANCE SPECIFICATION			MMM	12-30-05
			EM-25347-C36 SHT 2.1	
			CK. BY	DATE
			GJP	1-2-06
			APP. BY	DATE
			GJP	1-2-06